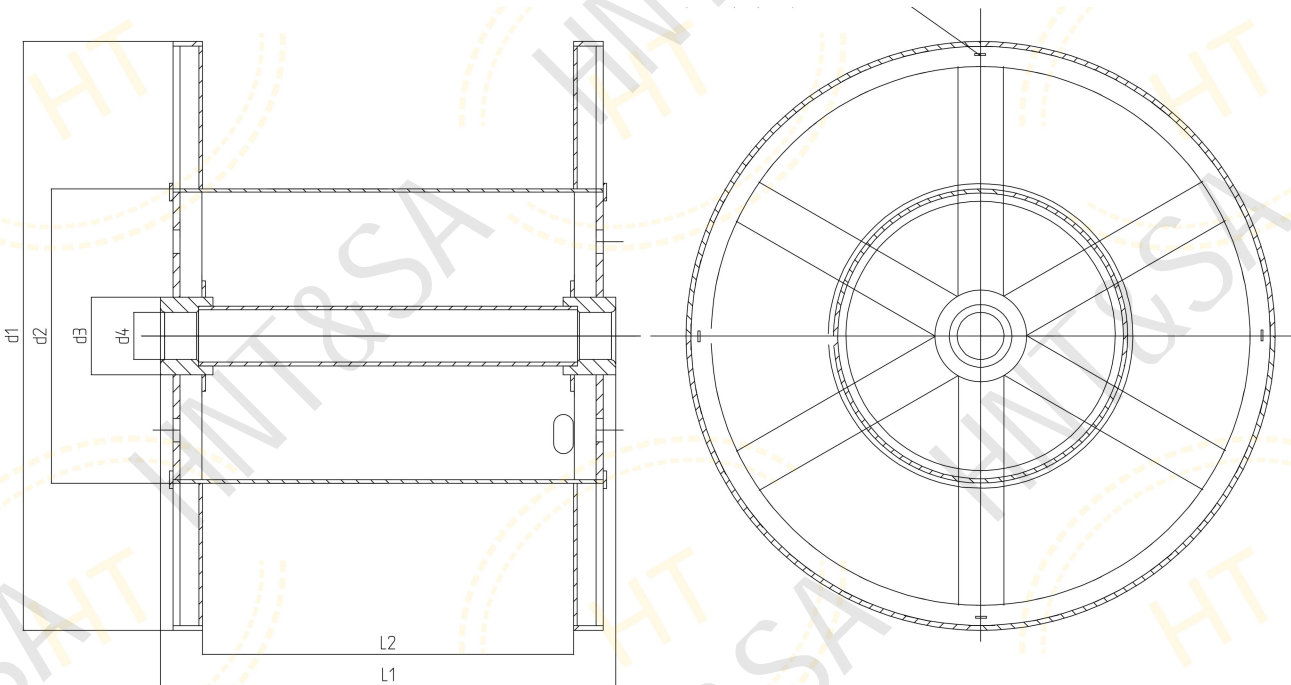


### PN800-5000PN Tablet Strengthen Enhanced Type Machine Bobbin

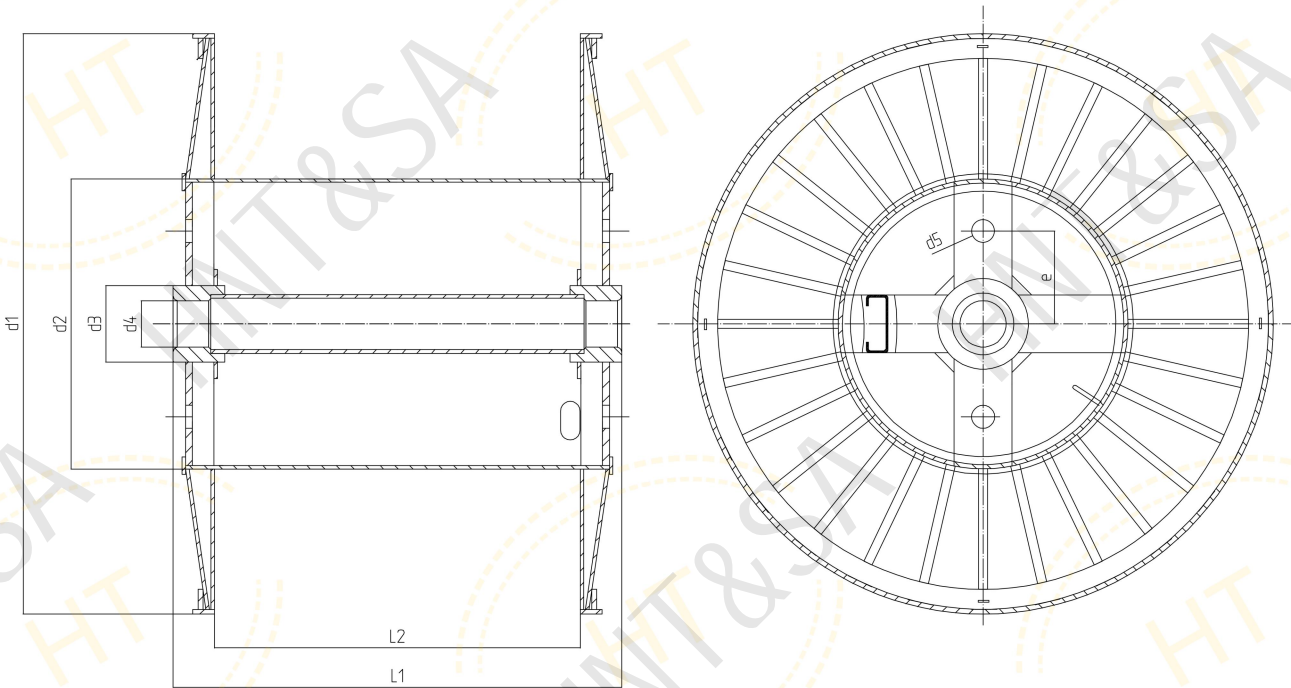
- Dimension either according to customer's specifications or GB4004-83,JB/T8997.4-1999,DIN46395 standard.
- For high voltage,middle and low voltage,XLPE,stranding,extrusion,cabling and armoring equipment.

Specification 规格 型号 Type	d <sub>1</sub>	d <sub>2</sub>	d <sub>3</sub>	d <sub>4</sub>	d <sub>5</sub>	e	L <sub>1</sub>	L <sub>2</sub>	V <sub>1</sub> dm <sup>3</sup>	
800	800	400	160	80	40	160	600	500	188.5	
900	900	450					670	560	267.2	
1000	1000	500					750	630	371.1	
1150	1150	560					850	710	524.6	
1250	1250	630					950	800	732.4	
1400	1400	710					1060	900	1029.1	
1600	1600	800					1180	1000	1508.0	
1800	1800	1000	200	100	65	300	1320	1120	1970.4	
2000	2000	1120	250	125			1500	1250	2695.5	
2240	2240	1250					1700	1400	3799.1	
2500	2500	1500	280	140			1900	1600	5026.5	
2800	2800	1800					2120	1800	6503.1	
3150	3150	1900					300	160	500	2300



## PN800-4500 Corrugated delivery reel

- Bobbin for cable, rope and strand. Dimension either according to customer's specifications or GB4004-83, JB/T8997.4-1999, DIN46391/DIN46391 standard.
- One way or shipping bobbin.





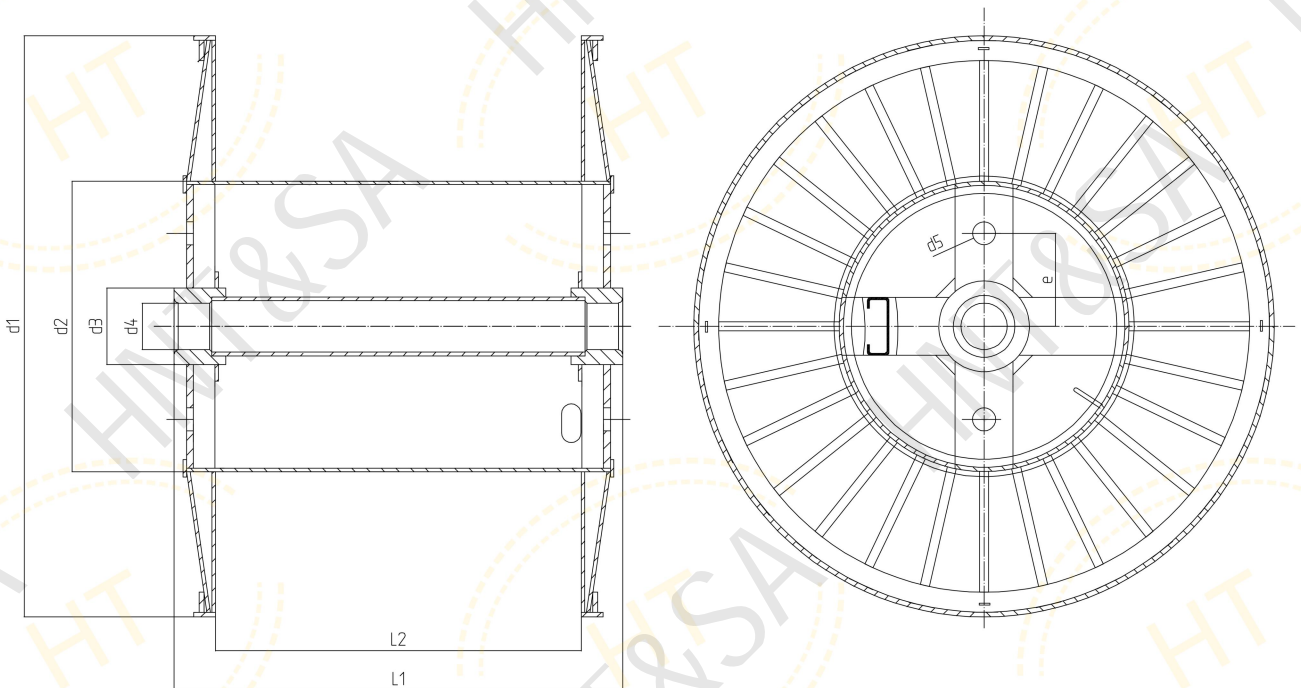
S&A International Trading Co., Limited

Specification 规格 型号 Type	d <sub>1</sub>	d <sub>2</sub>	d <sub>4</sub>	d <sub>5</sub>	e	L <sub>1</sub>	L <sub>2</sub>
1250	1250	630	80	65	160	900	710
1400	1400	710					
1600	1600	800					
1800	1800	1000	125		300	1120	900
2000	2000	1000					
		1250					
2240	2240	1120					
		1400					
2500	2500	1250	140		400	1360	1120
		1400					
		1600					
2800	2800	1800					
3000	3000	1800					
		2000		600	1690	2000	1600
3150	3150	1800					
		2000					
3390	3390	2000					
		2360					
3550	3550	2000	200	80	1000	2240	
		2360					
3750	3750	2650					
		2650					
4000	4000	2800					
		2650	2000	2500	2000		
4250	4250	2800					
		2800					
4500	4500	3000					

## PN800-3150 Reinforced Corrugated Bobbin

- Bobbin for cable, rope and strand. Dimension either according to customer's specifications or GB4004-83, JB/T8997.4-1999, DIN46395 standard.
- Process bobbin.

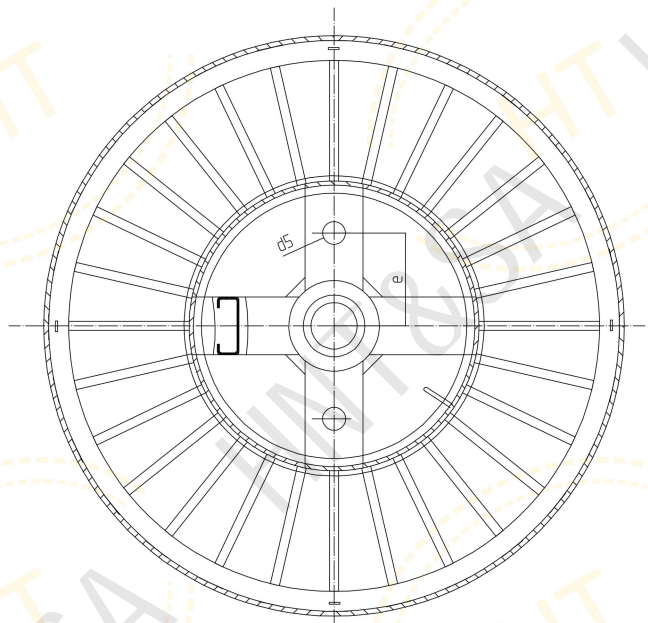
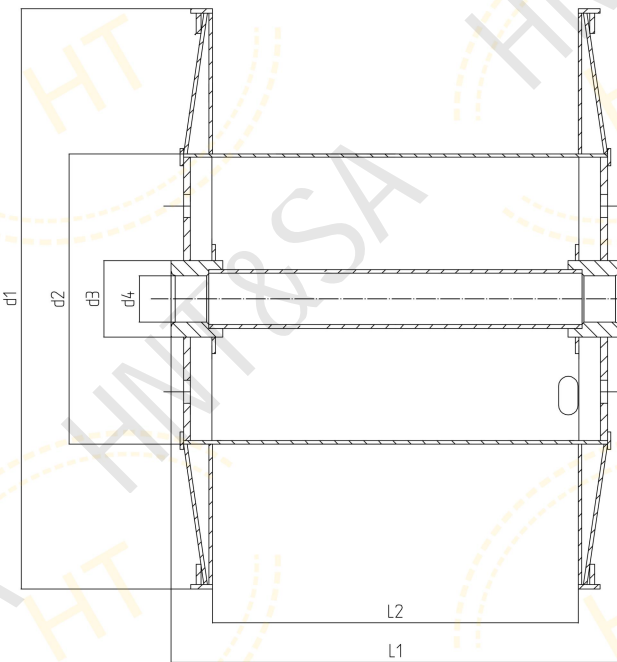
Specification 规格 型号 Type	d <sub>1</sub>	d <sub>2</sub>	d <sub>3</sub>	d <sub>4</sub>	d <sub>5</sub>	e	L <sub>1</sub>	L <sub>2</sub>	V <sub>1</sub> dm <sup>3</sup>	
800	800	400	102	80	28-40	160	600	500	188.5	
900	900	450					670	560	267.2	
1000	1000	500	750				630	371.1		
1150	1150	560	850				710	524.6		
1250	1250	630	950				800	732.4		
1400	1400	710	1060				900	1029.1		
1600	1600	800	1180				1000	1508.0		
1800	1800	1000	140	100	70-130	300	1320	1120	1970.4	
2000	2000	1120	158	125			1500	1250	2695.5	
2240	2240	1250					1700	1400	3799.1	
2500	2500	1500	1900	1600			5026.5			
2800	2800	1800	168	140			2120	1800	6503.1	
3150	3150	1900	194	160			500	2300	2000	9915.6



## PN800-5000 Corrugated Bobbin

- Bobbin for cable, rope and strand. Dimension either according to customer's specifications or GB4004-83, JB/T8997.4-1999, DIN46395 standard.
- Process bobbin.

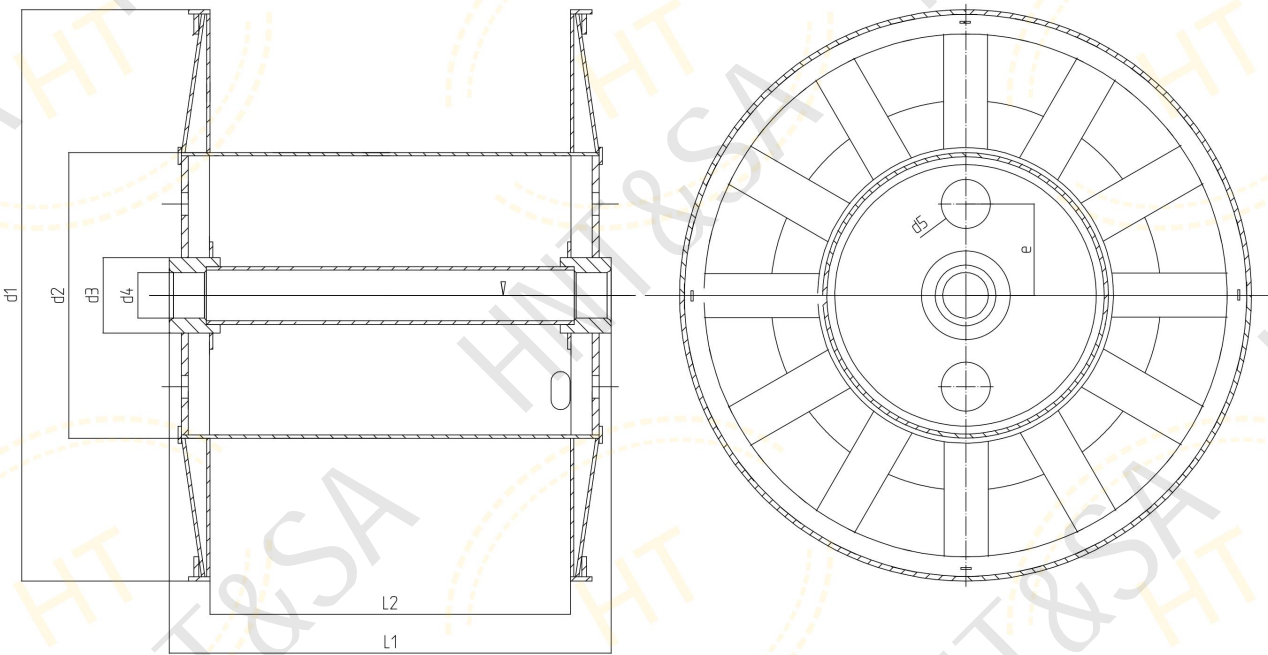
Specification 规格 型号 Type	d <sub>1</sub>	d <sub>2</sub>	d <sub>3</sub>	d <sub>4</sub>	d <sub>5</sub>	e	L <sub>1</sub>	L <sub>2</sub>	V <sub>1</sub> dm <sup>3</sup>
800	800	400	102	80	28-40	160	600	500	188.5
900	900	450					670	560	267.2
1000	1000	500	750				630	371.1	
1150	1150	560	850				710	524.6	
1250	1250	630	950				800	732.4	
1400	1400	710	1060				900	1029.1	
1600	1600	800	1180				1000	1508.0	
1800	1800	1000	1320				1120	1970.4	
2000	2000	1120	250	125	70-130	300	1500	1250	2695.5
2240	2240	1250					1700	1400	3799.1
2500	2500	1500					1900	1600	5026.5
2800	2800	1800					2120	1800	6503.1
3150	3150	1900	300	160		500	2300	2000	9915.6



### PN630-1250 Enhanced Metal Flange Process Bobbin

- Pressed steel bobbin, Dimension either according to customer's specifications or GB4004-83, JB/T8997.4-1999, DIN46395 standard.
- For cable, steel wire, steel rope, copper, aluminium and welding wire. Process, one-way or shipping bobbin.

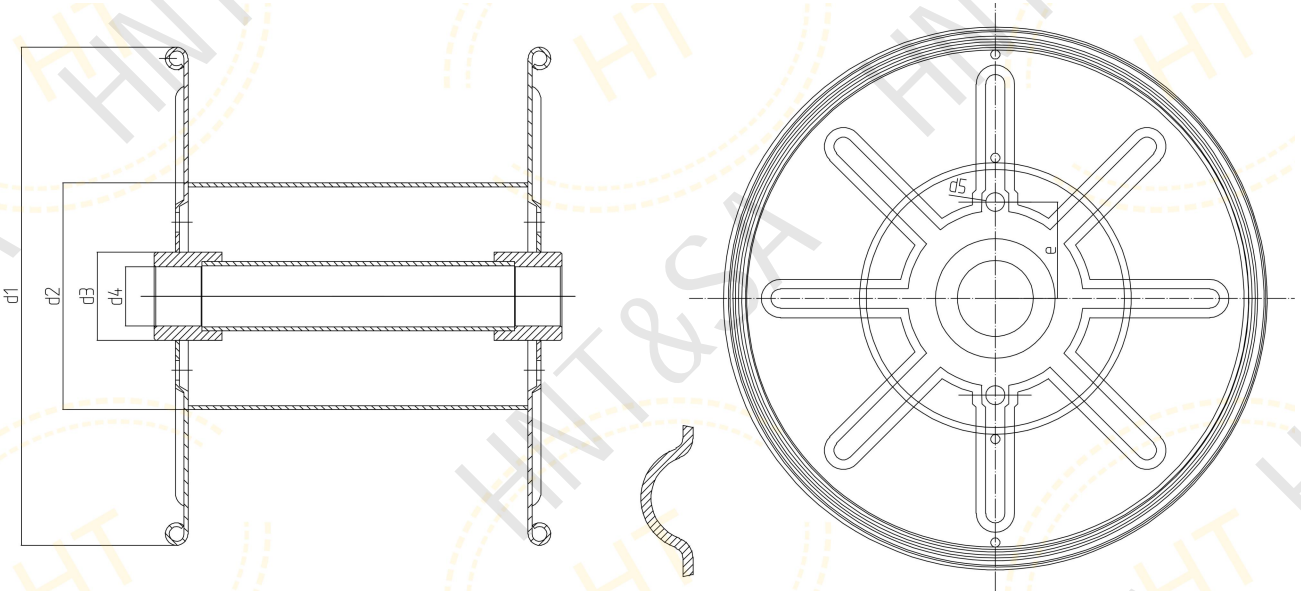
Specification 规格	d <sub>1</sub>	d <sub>2</sub>	d <sub>3</sub>	L <sub>1</sub>	L <sub>2</sub>	Variable Size
Φ630	Φ630	Φ350	Φ80 <sup>+0.50</sup> <sub>0</sub>	444	400	
Φ760	Φ760	Φ408	Φ80 <sup>+0.50</sup> <sub>0</sub>	410	360	
Φ860	Φ860	Φ430	Φ80 <sup>+0.50</sup> <sub>0</sub>	430	380	
Φ1150	Φ1150	Φ780	Φ80 <sup>+0.50</sup> <sub>0</sub>	318	255	
Φ1250	Φ1250	Φ630	Φ80 <sup>+0.50</sup> <sub>0</sub>	950	800	



### PN630-1250 Metal Flange Process Bobbin

- Pressed steel bobbin, Dimension either according to customer' s specifications or GB4004-83, JB/T8997.4-1999, DIN46395 standard.
- For cable、 steel wire、 steel rope、 copper、 aluminium and welding wire.Process、 one-way or shipping bobbin.

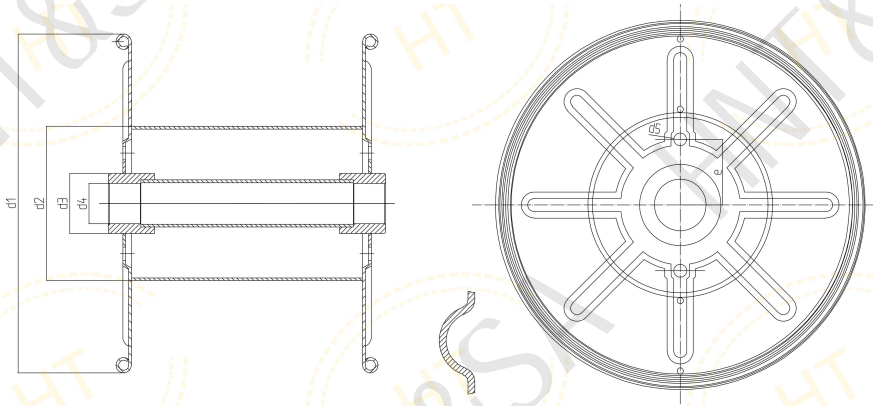
Specification 规格	d <sub>1</sub>	d <sub>2</sub>	d <sub>3</sub>	L <sub>1</sub>	L <sub>2</sub>	e	d <sub>5</sub>	Variable Size
Φ630	Φ630	Φ350	Φ80 <sup>+0.50</sup> <sub>0</sub>	444	400	28	100	d <sub>2</sub>
Φ760	Φ760	Φ408	Φ80 <sup>+0.50</sup> <sub>0</sub>	410	360			d <sub>3</sub>
Φ860	Φ860	Φ430	Φ80 <sup>+0.50</sup> <sub>0</sub>	430	380	40	170	L <sub>1</sub>
Φ1150	Φ1150	Φ780	Φ80 <sup>+0.50</sup> <sub>0</sub>	318	255			L <sub>2</sub>



### PND315-1250 Punching Bobbin

- Pressed steel bobbin, Dimension either according to customer's specifications or GB4004-83, JB/T8997.4-1999, DIN46395 standard.
- For cable, steel wire, steel rope, copper, aluminium and welding wire. Process, one-way or shipping bobbin.

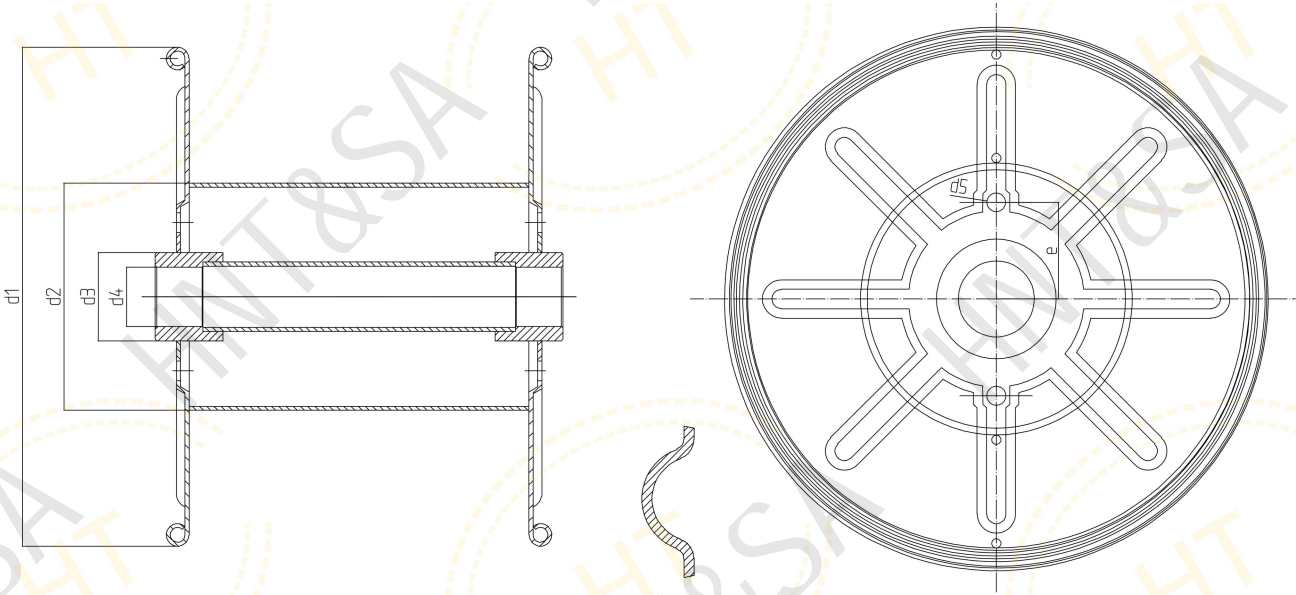
Specification 规格 型号 Type	d <sub>1</sub>	d <sub>2</sub>	d <sub>3</sub>	d <sub>4</sub>	d <sub>5</sub>	e	L <sub>1</sub>	L <sub>2</sub>	V <sub>1</sub> dm <sup>3</sup>	
315	315	180	160	125-127	16	100	236	200	10.5	
		200							9.3	
		224							7.7	
355	355	200					265	224	15.1	
		250							11.2	
400	400	224					300	250	21.6	
		280							16.0	
450	450	250					28	335	280	30.8
		315								22.7
500	500	280							375	315
		335	30.7							
560	560	315	425	355	59.8					
		400			42.8					
630	630	355	475	400	86.2					
		450			61.1					
710	710	400	530	450	121.6					
		500			89.8					
800	800	450	300	250	40	170	600	500	172	
		560							128	





### PND100-1250 Punching Bobbin

- Pressed steel bobbin, Dimension either according to customer's specifications or GB4004-83, JB/T8997.4-1999, DIN46395 standard.
- For cable, steel wire, steel rope, copper, aluminium and welding wire. Process, one-way or shipping bobbin.

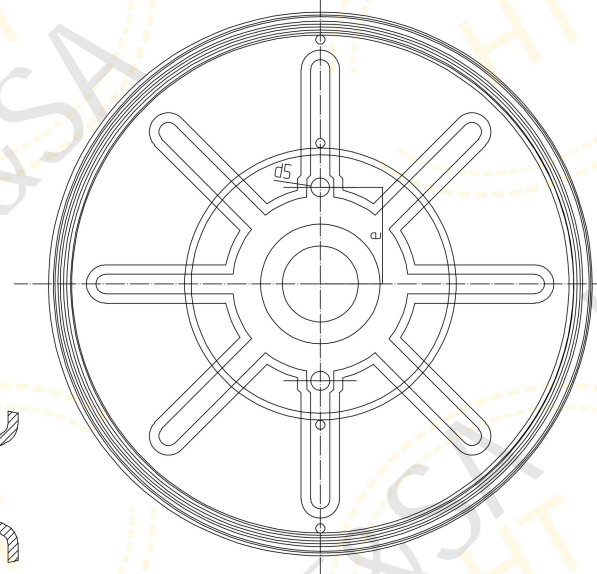
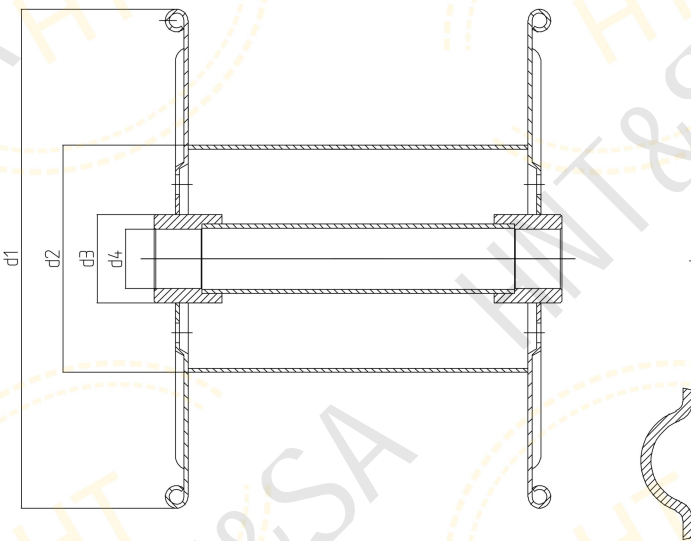


Specification 规格 型号 Type	d <sub>1</sub>	d <sub>2</sub>	d <sub>3</sub>	d <sub>4</sub>	d <sub>5</sub>	e	L <sub>1</sub>	L <sub>2</sub>	V <sub>1</sub> dm <sup>3</sup>
100	100	40	50	28	8-16	40	80	63	0.42
125	125	50					95	80	0.83
160	160	63					118	100	1.7
200	200	80	60	36		40 (60)	150	125	3.3
		100					125	100	2.35
250	250	100					190	160	6.6
		125			150		125	4.6	
315	315	125			236		200	13.1	
		160			190		160	9.2	
355	355	140	112	56	16-32	71 (112)	265	224	18.7
		180					215	180	13.2
400	400	160					300	250	26.3
		200					236	200	18.8
450	450	180					335	280	37.4
		224					265	224	26.8



S&A International Trading Co., Limited

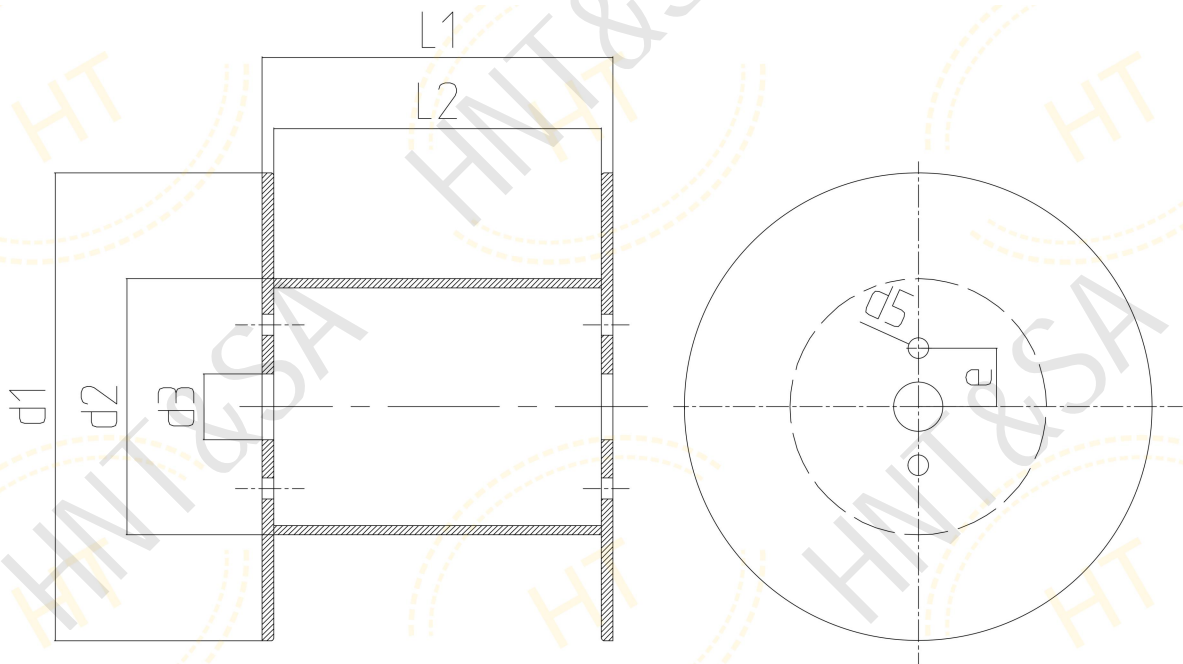
Specification 规格 型号 Type	d <sub>1</sub>	d <sub>2</sub>	d <sub>3</sub>	d <sub>4</sub>	d <sub>5</sub>	e	L <sub>1</sub>	L <sub>2</sub>	V <sub>1</sub> dm <sup>3</sup>				
500	500	200	112	56	16-32	71 (112)	375	315	51.9				
		250					300	250	26.3				
560	560	224					250	18.8					
		280							335	280	37.4		
630	630	250					400	105.1					
		315							375	315	72.5		
710	710	355					160	80	28-40	160	530	450	133.6
800	800	400									600	500	188.5
900	900	450									670	560	267.2
1000	1000	500									750	630	371.1
1120	1120	560	850	710	524.6								
1250	1250	630	950	800	732.4								



### PND100-630 Flat High Speed Bobbin

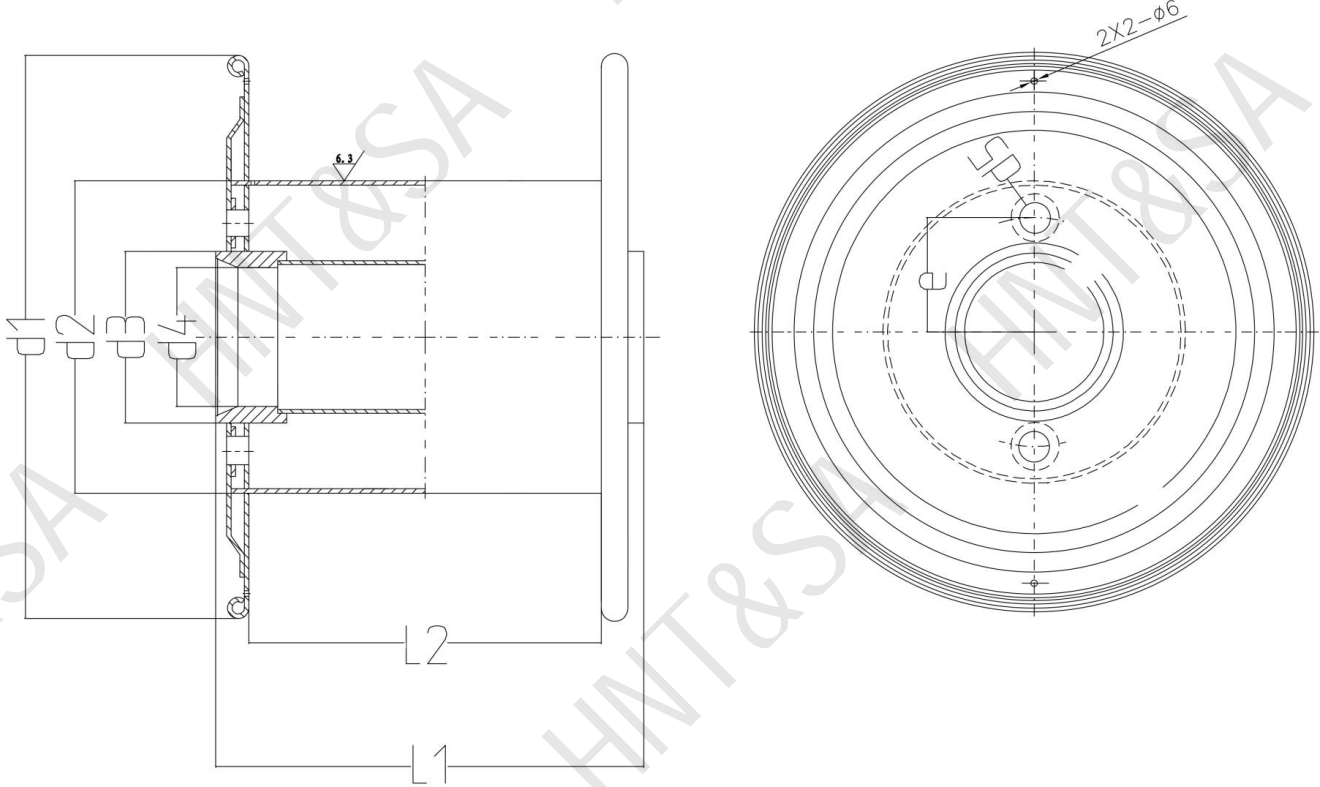
- Steel bobbin with massive flanges, barrel, bore and hub. Dimension either according to customer's specifications or GB4004-83, JB/T8997.4-1999, DIN46395/DIN46397 standard.
- Dynamically balanced for speed from 25m/s to 50m/s.
- For cable, ferrous and non-ferrous wire, for drawing, stranding and bunching machines.

Specification 规格 型号 Type	d <sub>1</sub>	d <sub>2</sub>	d <sub>4</sub>	d <sub>5</sub>	L <sub>1</sub>	L <sub>2</sub>	e	V <sub>1</sub> dm <sup>3</sup>
200	200	100	25	16	150	125	40	2.9
300	300	217	127	18	290	270	90	9.1
400	400	165	70	16	270	250	50	26.1
500	500	217	70	20	320	300	65	47.78
			80					47.78
		250	127	20	370	315	100	44.1
630	630	355	125	28	475	400	100	86.2



### PND315-1250 Double Layer High Speed Bobbin

- Pressed steel flanges dimension either according to customer's specifications or GB4004-83, JB/T8997.4-1999, DIN46395/DIN46397 standard.
- Dynamically balanced for speed from 25m/s to 50m/s.
- For cable, ferrous and non-ferrous wire, for drawing, stranding and bunching machines.



Specification 规格 型号 Type	d <sub>1</sub>	d <sub>2</sub>	d <sub>3</sub>	d <sub>4</sub>	L <sub>1</sub>	L <sub>2</sub>	d <sub>5</sub>	e	t <sub>1</sub>	t <sub>2</sub>	t <sub>3</sub>
315	315	180	160	125/127	236	200	16	100	63	20	2
		200									
		224									
355	355	200	160	125/127	265	224	16	100	63	20	2
		224									
		250									
400	400	224	160	125/127	300	250	28	100	63	20	2
		250									
		280									
450	450	250	160	125/127	335	280	28	100	63	20	2
		280									
		315									



S&A International Trading Co., Limited

Specification 规格 型号 Type	d <sub>1</sub>	d <sub>2</sub>	d <sub>3</sub>	d <sub>4</sub>	L <sub>1</sub>	L <sub>2</sub>	d <sub>5</sub>	e	t <sub>1</sub>	t <sub>2</sub>	t <sub>3</sub>
500	500	280	160	125/127	375	315	28	100	63	20	2
		315									
		355									
560	560	315	160	125/127	425	355	28	100	63	20	2
		350									
		400									
630	630	315	160	125/127	475	400	28	100	63	20	2
		355									
		400									
		450									
710	710	400	300	250	530	450	40	170	125	40	2.5
		450									
800	800	450	300	250	600	500	40	170	125	40	2.5
		500									
		560									
1000	1000	560	300	250	750	630	50	250	40	20	2.5
		630									
		710									
1250	1250	710	300	250	950	800	50	250	40	20	2.5
		800									
		900									



*S&A International Trading Co., Limited*

